

Archgard
FIREPLACES

GAS FIREPLACES

Direct Vent / Zero Clearance



41-DVTE41LN with Appalachian Ledgestone Grey Panel Set,
Grand Timber Log Set, & Clear View Barrier Screen

37 - DVTE30LN

SPECIFICATIONS

Input Rating	
Natural Gas	16,500 - 30,000 BTU/h 4.84 - 8.79 kWh
Propane	16,000 - 30,000 BTU/h 4.69 - 8.79 kWh
Efficiencies	
Steady State Efficiency	77.99%
P.4 Fireplace Efficiency	70.21%
Mantel Clearance	
8" (20.32 cm) mantle at minimum 20.625" (52.39 cm) from the top of the fireplace opening*.	

*see the installation, operation, and maintenance manual for additional mantel options.

PANEL SET OPTIONS



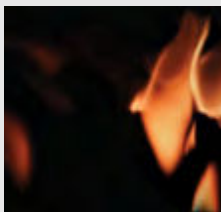
37-BRPL-QCG
Brick Panel,
Québec City Grey



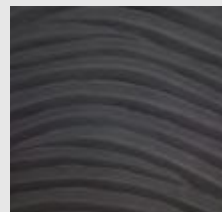
37-BRPL-QCR
Brick Panel,
Québec City Red



37-BRPL-ALG
Brick Panel, Appalachian
Ledge Stone Grey



37-BRPL-RG
Eternal Flame Reflective
Ceramic Glass



37-BRPL-LCB
Brick Panel,
Lost Coast Black

FLAME VIDEOS



with Grand Timber
Log Set



with Weathered Wood
Log Set

Use a mobile device to scan the QR code above.

For more information, pictures, and videos visit archgard.com



Archgard's mid-sized clean faced direct vent fireplace, the 37-DVTE30LN is perfect for medium sized installations. With many versatile styling options, the 37-DVTE30LN will become the centerpiece of any home, whether you prefer rugged and traditional, or lean toward a more contemporary look. Fill the firebox with a high definition grand timber or weathered wood log set and finish with one of five premium interior panel sets to create the new gathering place for your home.



37-LS-WW
Weathered Wood Log Set

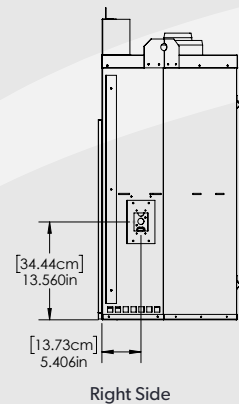
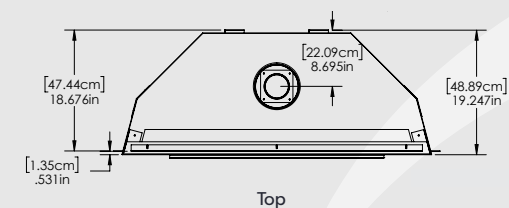
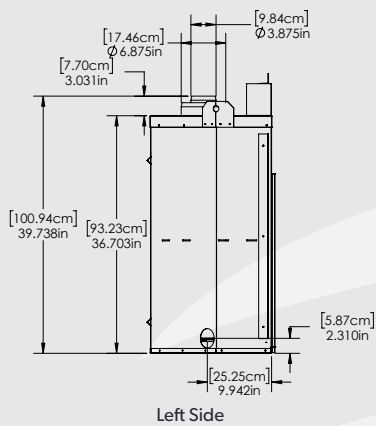
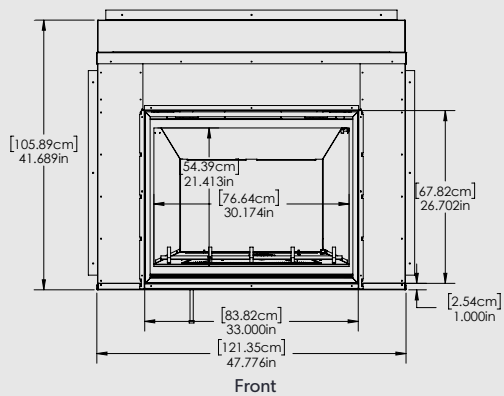


37-LS-GT
Grand Timber Log Set

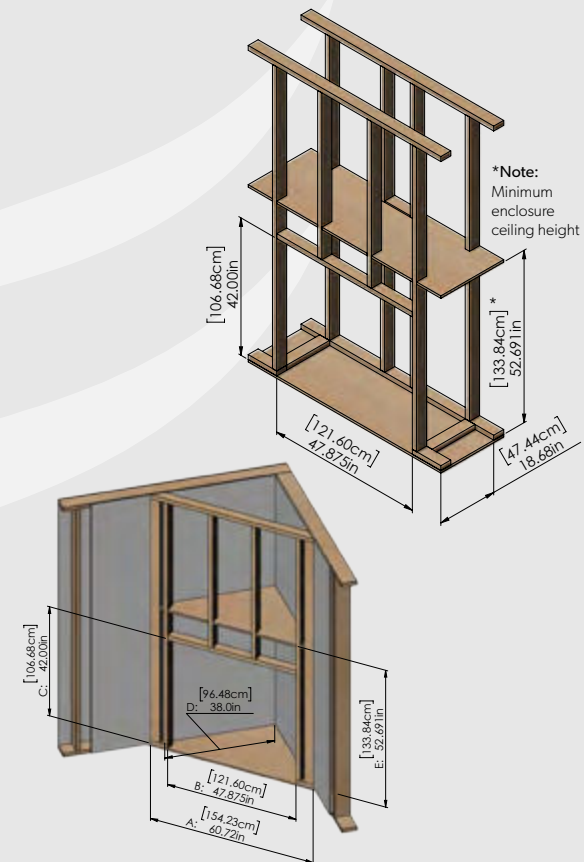


37-DVTE30LN shown with Lost Coast Black Panel Set, Weathered Wood Log Set, & Clear View Barrier Screen.

FIREPLACE DIMENSIONS



FRAMING DIMENSIONS



For more dimensions and installation information see the installation, operation, and maintenance manual.

41 - DVTE41LN

SPECIFICATIONS

Input Rating	
Natural Gas	22,000-41,000 BTU/hr 6.45-12.02 kW/hr
Propane	19,000-41,000 BTU/hr 5.56-12.02 kW/hr
Efficiencies	
Steady State Efficiency	76.15%
P,4 Fireplace Efficiency	70.08%
Mantel Clearance (without I.H.E.A.T.)	
8" (20.32 cm) mantle at minimum 21" (53.3 cm) from the top of the fireplace opening*.	

*See the installation, operation, and maintenance manual for additional mantel options.
*See the I.H.E.A.T. manual for mantel clearance changes when using I.H.E.A.T.

PANEL SET OPTIONS



41-BRPL-QCG
Brick Panel,
Québec City Grey



41-BRPL-QCR
Brick Panel,
Québec City Red



41-BRPL-ALG
Brick Panel, Appalachian
Ledge Stone Grey



41-BRPL-RG
Eternal Flame Reflective
Ceramic Glass



41- BRPL-LCB
Brick Panel,
Lost Coast Black

FLAME VIDEOS



with Grand Timber
Log Set

Use a mobile device to scan the QR code above.

For more information, pictures, and videos visit archgard.com



Archgard's 41-DVTE41LN is accompanied by the same versatile styling options as the 37-DVTE30LN but designed to accommodate larger settings. Finish your fireplace with the classic Quebec City Red panel set for that traditional old-world charm, or choose an alternative traditional look with the Quebec City grey panel set modeled on brickwork found in La Citadelle de Quebec; add a rugged touch with the Appalachian Ledge Stone Grey panel set reminiscent of the jagged hills within the Appalachian mountains, or get lost as the flames dance across the dark sandy waves of the Lost Coast Black panel set; or, watch the flames multiply with the Eternal Flame reflective ceramic glass panel set.



41-LS-WW2
Weathered Wood Log Set

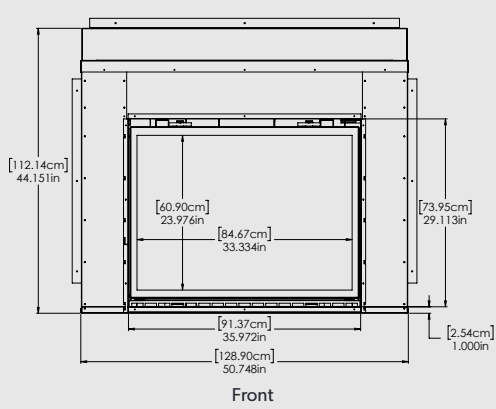


41-LS-GT2
Grand Timber Log Set

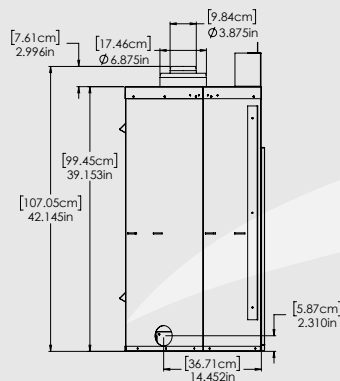


41-DVTE41LN Shown with Quebec City Grey Panel Set, Grand Timber Log Set, & Clear View Barrier Screen.

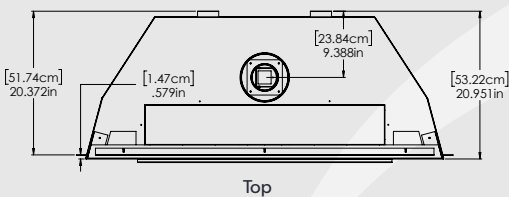
FIREPLACE DIMENSIONS



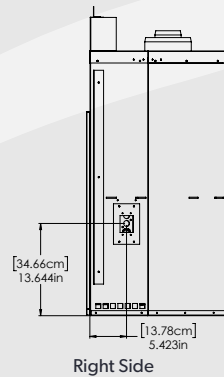
Front



Left Side

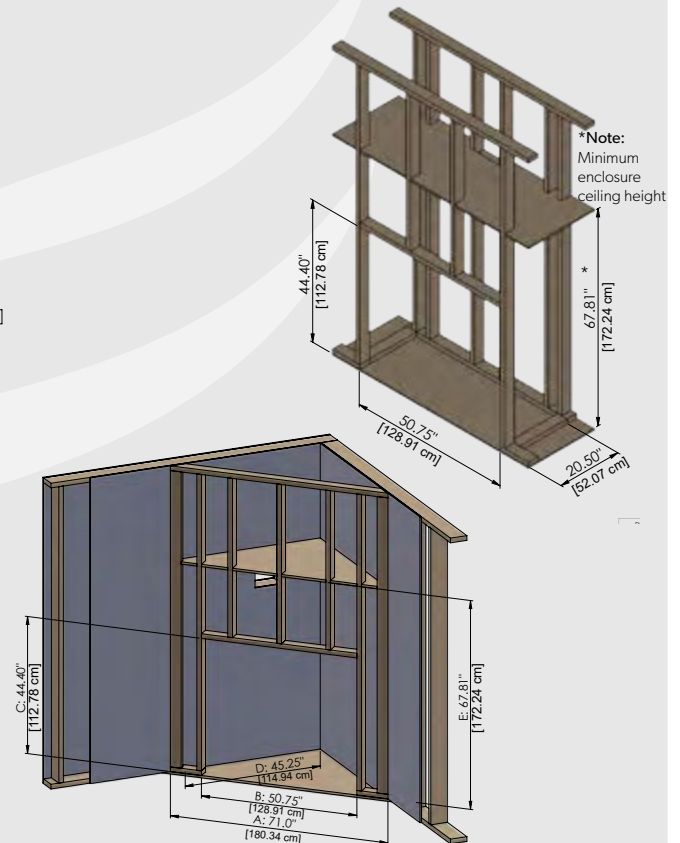


Top



Right Side

FRAMING DIMENSIONS



I.H.E.A.T.

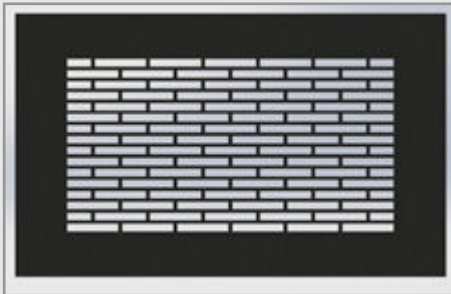
SPECIFICATIONS

Technical Specifications	
Average Air Flow	100 CFM
Maximum Temperature Output	200°F (93°C)
Maximum Duct Length	30' (914.4 cm)

Kits Available	
999-IHT-540	40" Long Discharge System with 5" Collars
999-IHT-51212	Two 12" x 6" Discharge System with 5" Collars
999-IHT-54012	One 40" Long Discharge and one 12" x 6" Discharge System with 5" Collars

*multiple accessories are available to facilitate an easy installation, please see your local Archgard dealer.

BEZEL OPTIONS



999-IHT-12B2B
12" Slotted Bezel,
Satin Black



999-IHT-40B1B
40" Clean Design,
Satin Black



999-IHT-12B2W
12" Slotted Bezel,
White



999-IHT-40B1W
40" Clean Design,
White

Note: You may paint the bezels to match any decor using your preferred high temperature paint.

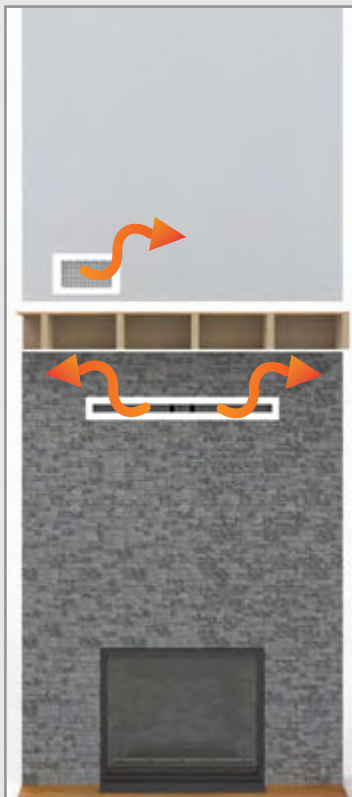


Intelligent Heat Exchange and Air Transfer
(I.H.E.A.T.)

This system allows you to transfer the convection heat from your 41-DVTE41LN to where you want it the most; whether within the room, an adjoining room, or the room above.



41-DVTE41LN Shown with Lost Coast Black Panel Set, Grand Timber Log Set, Hemlock Valley Doors, & I.H.E.A.T 40" White.



999-IHT-54012

Benefits of I.H.E.A.T.:

- Allows heat sensitive objects such as a television or artwork to be installed above the fireplace
- Allows for a lower combustible mantel
- Enables the transfer heat to other rooms or even levels of your home with a maximum duct length of 30 feet
- Multiple possible configurations
- Does not require power or special fans to operate
- Adjustable for variable wall thicknesses or finishes



999-IHT-540

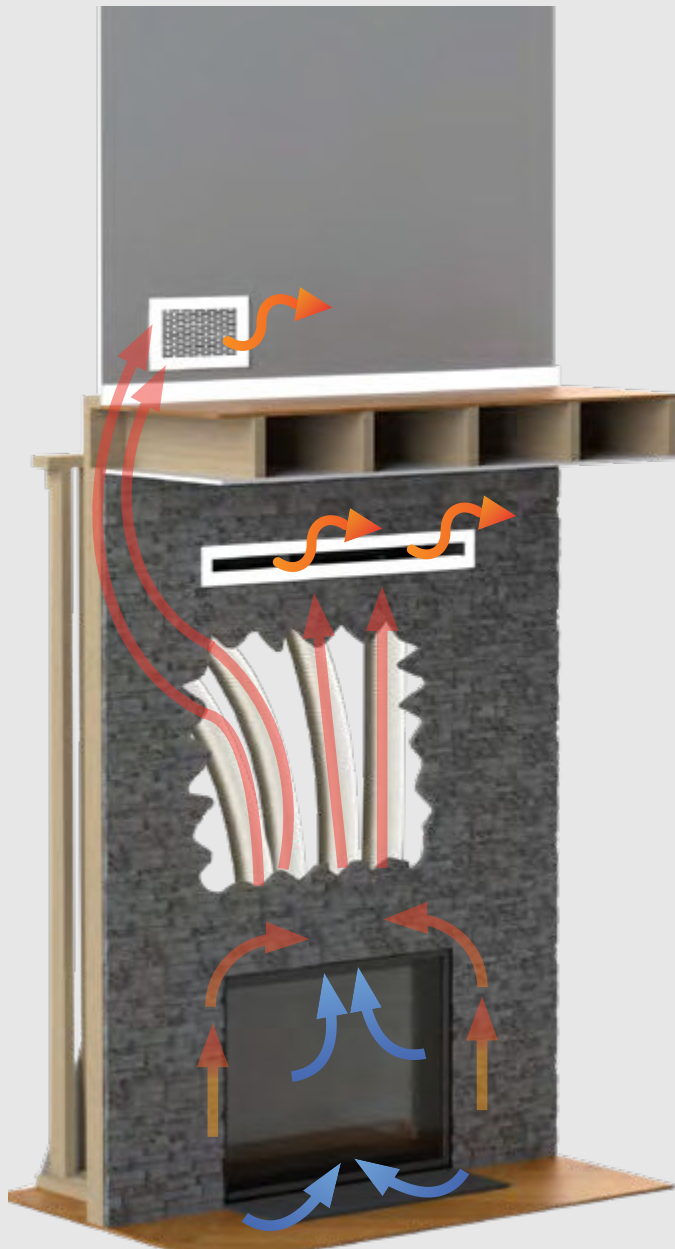
The I.H.E.A.T. Difference

I.H.E.A.T. gives you the power to choose how you'd like to heat your home. This Intelligent Heat Exchange and Air Transfer system gives you the ability to transfer the heat from the fireplace away from the fireplace opening to the location of your choosing. Not only does this allow you to direct heat to where you need it most, but it allows even more options for customizing your space.

With I.H.E.A.T.

Cooler room air enters the fireplace and is warmed by the panoramic wall-to-wall flame. The warm air travels around the firebox and through the ducting to the discharge head(s), directing the warm air to wherever you need it most.

The air immediately above the fireplace opening is cooler, allowing heat sensitive objects to be mounted over the fireplace.*



Without I.H.E.A.T.

Cooler room air enters the fireplace and is warmed by the panoramic wall-to-wall flame. The warm air travels around the firebox and out of the top of the fireplace to heat the room.

The air immediately above the fireplace opening is warmer and a little more clearance to combustible material is needed.



*See the I.H.E.A.T. and 41-DVTE41LN-2 Installation, Operation, and Maintenance manuals for installation information including framing and required clearances.

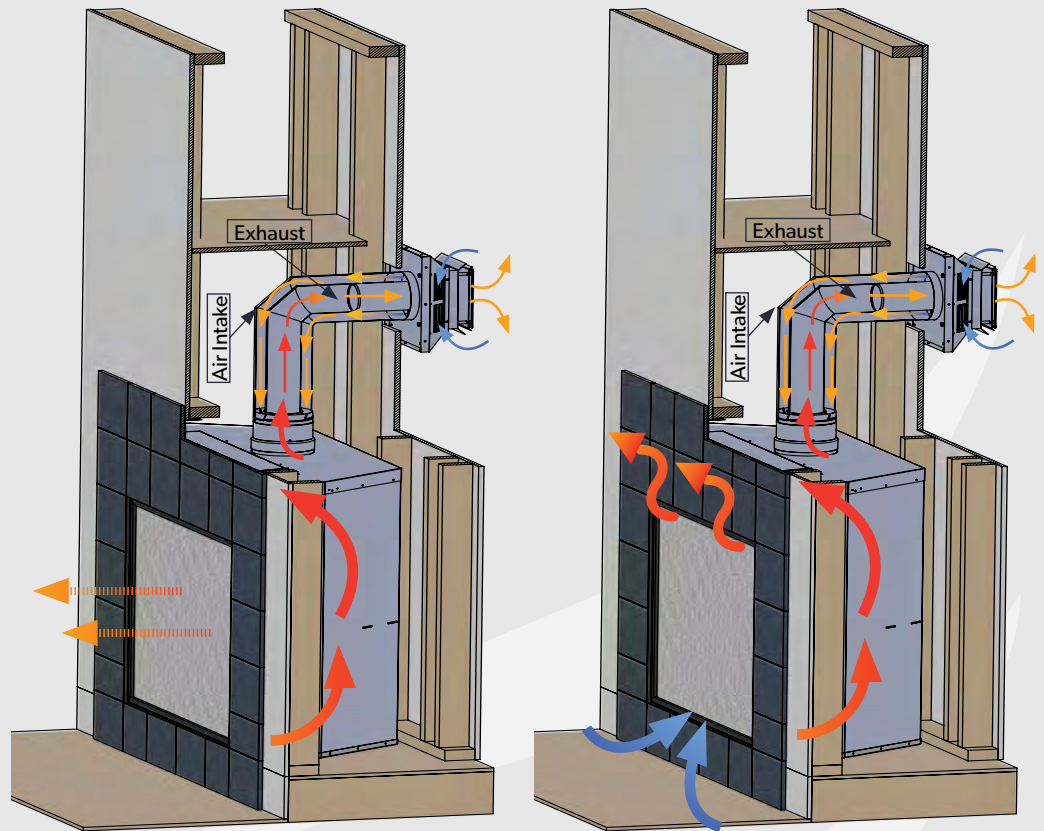
RADIANT HEAT VS CONVECTION HEAT

Radiant heat is the intentional transfer of radiant energy from your Archgard fireplace directly to objects and people within the room. Like the sun on a cool morning or sitting around a campfire, the surrounding temperature may be cool, but you are warm and comfortable because of the radiant heat that is transferred from the source directly to you.

Convection heat generates an air current to help heat the air in the room quicker and push heat out to fill even larger spaces. This process is improved by using the standard efficient six speed heat distribution fan* which is operated using your standard remote control.

Radiant heat is known to be more efficient than convection heat due to differences in the way each system heats your home.

Archgard gas fireplaces give you the best of both heat types as all Archgard gas fireplaces are both radiant heaters AND convection heaters.



RADIANT HEAT

CONVECTION HEAT

DIRECT VENT TECHNOLOGY

All Archgard gas fireplaces use efficient direct vent technology. A direct vent fireplace draws the cooler outside air into the air intake to be used for combustion. The cool air is preheated as it travels down the air intake vent by the warmer exhaust air that is traveling up the inner exhaust vent. This reduces the amount of energy required to heat the combustion air and the amount of energy lost by the exhaust.

The combustion air is mixed with gas and used to create Archgard's panoramic wall-to-wall flame and to heat your home. The byproduct of combustion becomes the exhaust air which begins the cycle again.

WORLD'S FIRST DYNAMIC START ADVANTAGE

Our engineers teamed up with the industry's lead electronics producer to develop the all new Dynamic Start Advantage control system. The new control is absolutely the most reliable, user friendly, and safest start system ever produced.



This system will start the fire slowly and build it up after a draft has been established. This process helps ensure a more reliable start, reduces any condensation on the glass door, and helps to reduce the fatigue and stress to the fireplace caused by the rapid expansion of heating metal.

CONTINUOUS PILOT ON DEMAND

Archgard's efficient gas fireplaces are designed to help save the environment while saving you money! The Continuous Pilot On Demand ignition system is a feature that offers peace of mind while saving energy by turning the pilot off after seven continuous days without use.



This system allows you to live your life without consideration for whether you've left the pilot on or not. Whether you've gone on vacation or it's those warm summer days, the pilot will automatically turn off until you need it. Simply turn on the fireplace to start the seven day timer again.

Standard Features

	41 DVTE41LN-2	37 DVTE30LN-1
Ignition Type	Archgard's exclusive Dynamic Start Advantage spark-to-pilot ignition with continuous pilot on demand and battery backup**	
Remote control	Multi-function remote control system including smart thermostat	
Convection fan	High efficiency six speed heat distribution fans with variable speed fan control included	
Adjustable lighting	Choose from six levels of accent lighting	
Viewing area	33 3/8" W x 24" H	30 1/8" W x 21 1/2" H
Heating Type	Convection and Radiant with I.H.E.A.T. compatibility	Convection and Radiant
Propane conversion kit	Optional	
Warranty	Archgard's Worry-Free Elite Limited Lifetime	
Solid construction	This fireplace is constructed of 16 and 18 gauge galvanized and aluminized coated steel for long life and durability.	
Vent exit location	Top exit	
Easy Installation	The only fireplace in its class engineered to use standard building materials and building practices - installation does not require metal studs or cement board.	
Serviceability	Up Front serviceability - controls are located at the front of the fireplace for quick and easy access.	
Efficiency	This fireplace has one of the highest efficiencies of any Direct Vent gas fireplace heaters, ensuring it is less expensive to operate.	

For more dimensions and installation information see the installation, operation, and maintenance manual.

WALL MOUNTABLE REMOTE CONTROL



The wall mountable remote comes standard with all Archgard electronic ignition gas fireplaces and is used to control all aspects of your fireplace.

This adaptable remote includes a mounting bracket which allows the remote to be mounted at the location of your choosing and removed for the convenience of hand-held use.

Archgard gas fireplaces are one of the most advanced direct vent heaters available today. It is solidly designed using the latest technology and manufactured to the highest quality. It is our aim to provide you with an appliance that brings many trouble-free years of reliable service. Archgard fireplaces are designed to be the focus of any home no matter your decorative style preferences. These efficient clean faced fireplaces can be finished up to the massive viewing area using the noncombustible material of your choice.

For more information, pictures, and videos visit archgard.com

HEMLOCK VALLEY DOORS



41-DAHVB

Door Arch, Hemlock Valley, Black
35 1/8" H x 42 3/4" W

37-DAHVB

Door Arch, Hemlock Valley, Black
32 1/4" H x 39 3/4" W



41-DSHVB

Door Square, Hemlock Valley, Black
32 1/2" H x 42 3/4" W

37-DSHVB

Door Square, Hemlock Valley, Black
30" H x 39 3/4" W

WROUGHT IRON FRONTS



41-WIFASDB

Wrought Iron Front Arch, Black
35 1/8" H x 42 3/4" W

37-WIFASDB

Wrought Iron Front Arch, Black
32 1/4" H x 39 3/4" W



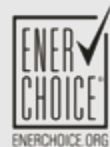
41-WIFSSDB

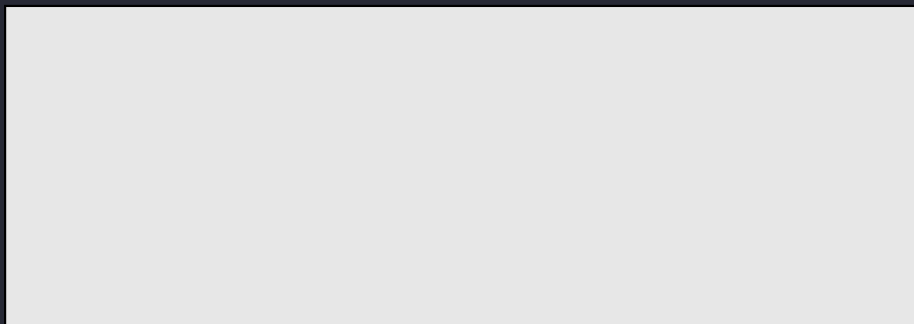
Wrought Iron Front Square, Black
32 1/2" H x 42 3/4" W

37-WIFSSDB

Wrought Iron Front Square, Black
30" H x 39 3/4" W

California Proposition 65 Warning: These products can expose you to chemicals including Carbon Monoxide, that is an externally vented by-product of fuel combustion, which is [are] known to the State of California to cause cancer, birth defects, or other reproductive harm. For more information, visit www.P65Warnings.ca.gov.





Part # 100-3090

November, 2019



Archgard Fireplace Products
7116 Beatty Drive Mission BC V2V 6B4
archgard.com